

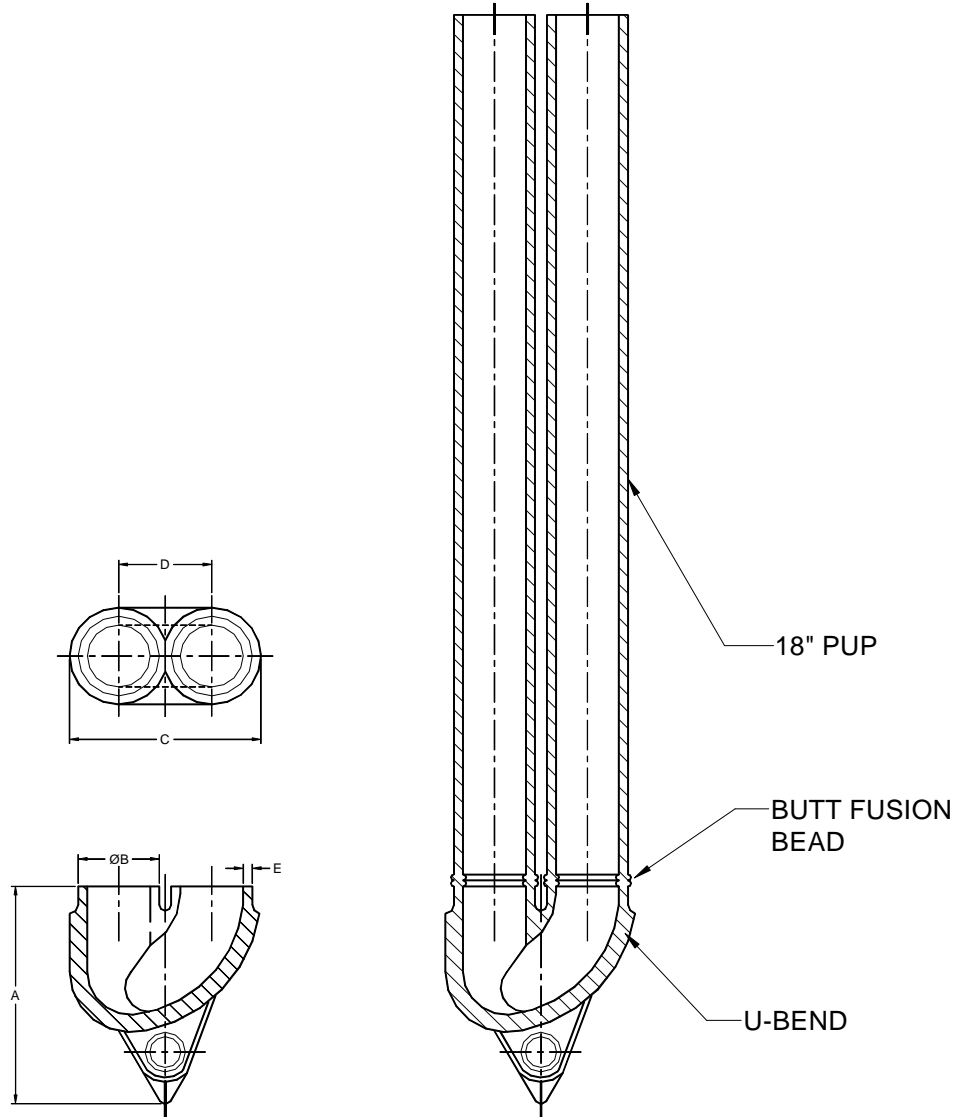
U-BENDS w/ PUP

BUTT FUSION FITTINGS

(BUTT)

FOR REFERENCE ONLY

3/4", 1", & 1 1/4" IPS



NOMINAL SIZE	DIMENSION A	DIAMETER B $\pm .010$	DIMENSION C	DIAMETER D	WALL E	
3/4" IPS	3.84	1.050	3.07	1.75	.095 MIN.	.115 MAX.
	97.5 mm	26.67 mm	78.0 mm	44.5 mm	2.41mm	2.92mm
1" IPS	3.84	1.315	3.12	1.82	.120 MIN.	.143 MAX.
	97.5 mm	33.40 mm	79.2 mm	46.2 mm	3.04mm	3.63mm
1 1/4" IPS	4.55	1.660	3.93	1.91	.178 MIN.	.214 MAX.
	115.6 mm	42.16 mm	99.8 mm	48.5 mm	4.52mm	5.41mm